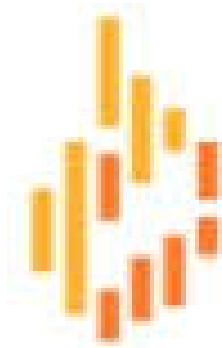


INNOVATIVE

**TAKE OUT INSERTS**

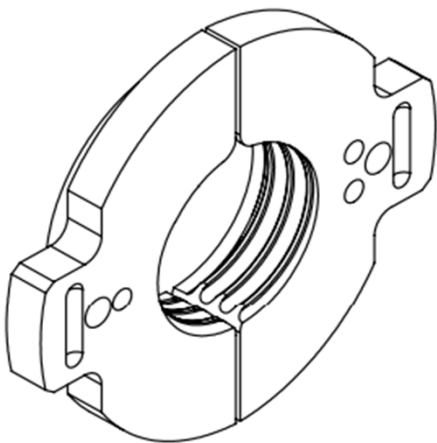


techflame

Developed by Glass People for Glass People

# Graphite Screw

## TYPE Insert

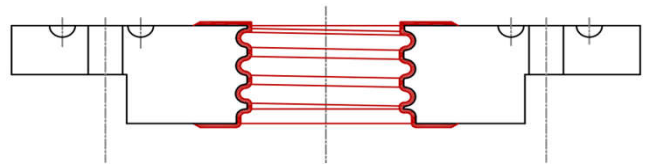
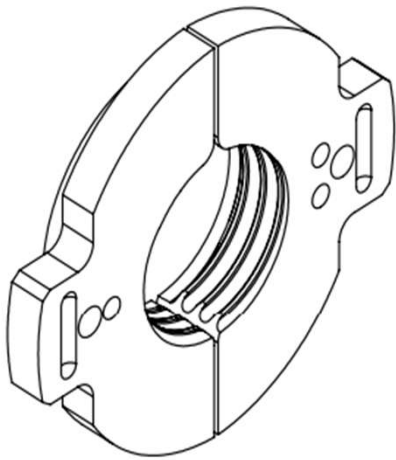


### Standard Graphite Insert:

- Needed very accurate aligning with finish line
- Practically short life – till 40 000 took out bottles
- Production losses due to section downtimes
- Single use
- High operation cost

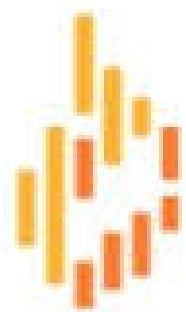
# Plasma coated SCREW

## TYPE Insert



TechFlame insert design : + 1% PTM

- Plasma coated long life – over 500 000 took out bottles
- Quick change
- Self aligning
- No bolts and screws (maintenance free)
- Recyclable/Returnable
- Low operation cost



**techflame**

**YOUR PARTNER  
IN  
HOLLOW GLASS  
INDUSTRY**

**Contact us:**

**E: [office@techflame.org](mailto:office@techflame.org)**

**T: +7-988-546-94-56**